

APT Drawbar Operator

Apartment House Duty
Door Operator



I.C./F.C.C.
Certified

Customer _____

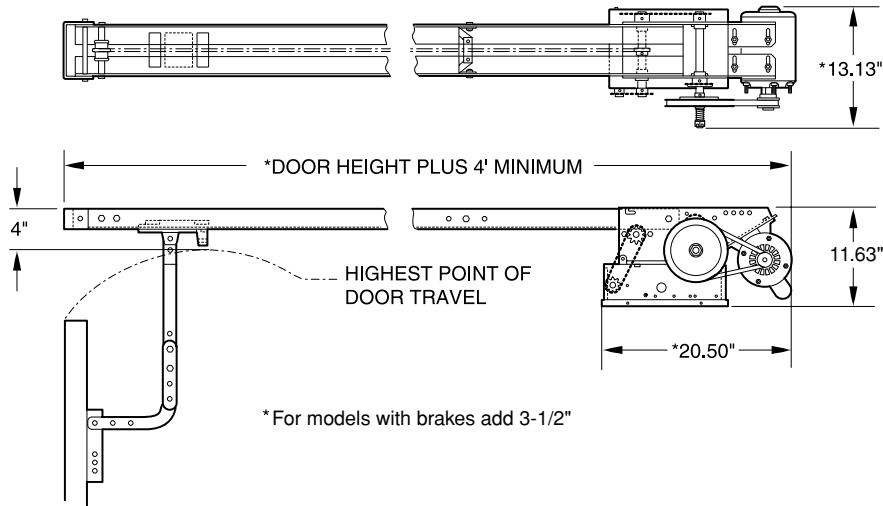
Project _____

Architect/Engineer _____

Contractor _____

Drawing Number _____ Date _____ Sheet _____ of _____

SHOP DRAWING



Specifications for Ordering

1) Supply _____ (_____) LiftMaster Operator(s) Model _____
_____ HP, _____ Volts, _____ Phase, _____ Hertz _____

2) For _____ wide x _____ high door(s) with _____

3) Supply _____ (_____) OPEN/CLOSE/STOP control station(s) in NEMA _____ enclosure per operator

4) Supply auxiliary and optional equipment as specified below (one per operator unless otherwise noted)

Additional Info

Notes:

- 1) Refer to Model APT product data sheet for general information
- 2) Refer to drawing _____ for wiring diagram

MOTOR AMPERAGE RATING	
HORSE POWER	VOLTAGE - PHASE - 60Hz
1/2	115-1Ø 8.0

Manufactured by:
The Chamberlain Group, Inc.
845 Larch Avenue • Elmhurst, Illinois 60126
For More Information:
call (800) 323-2276
visit www.liftmaster.com or
<http://specs.chamberlain.com/architectscorner>

CHAMBERLAIN®
LiftMaster®
ELITE SERIES™ LOGIC 3.0