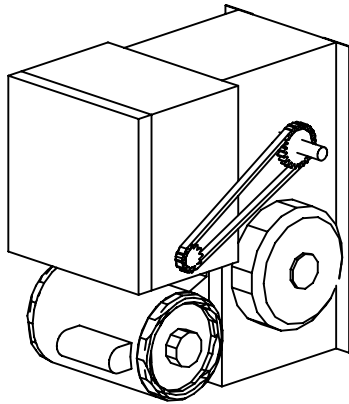
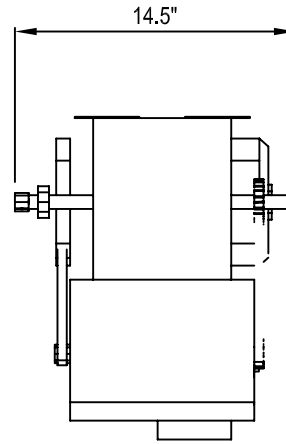


# LiftMaster®

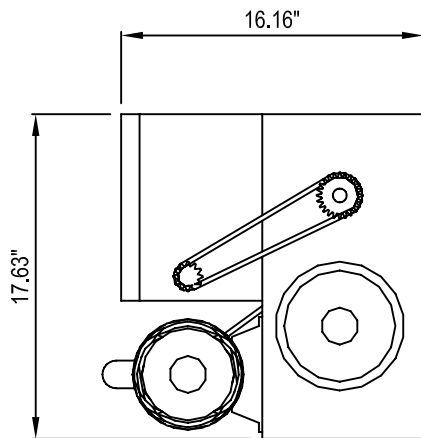
LIFTMASTER (CHAMBERLAIN GROUP, INC.)  
845 LARCH AVE. N.  
ELMHURST, IL 60126  
TOLL FREE: 1-800-528-5880  
PHONE: (630) 279-3600  
FAX: (877) 528-7633  
www.liftmaster.com



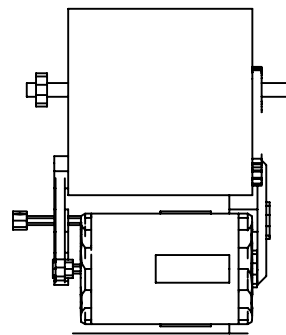
ISOMETRIC VIEW



TOP VIEW



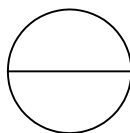
SIDE VIEW



FRONT VIEW

NOTES:

1. INSTALLATION TO BE COMPLETED IN ACCORDANCE WITH MANUFACTURERS SPECIFICATIONS.
2. DO NOT SCALE DRAWINGS.
3. SUGGESTED INSTALLATION FOR DIRT GROUND. THE MEASUREMENTS DEPEND ON THE TYPE OF GROUND. (IE., ASPHALT, CEMENT, DIRT) CHECK LOCAL BUILDING CODE BEFORE INSTALLATION.
4. CONTRACTORS NOTE: FOR PRODUCT AND COMPANY INFORMATION VISIT [www.CADdetails.com/info](http://www.CADdetails.com/info) REFERENCE NUMBER 2132-026



## COMMERCIAL GARAGE DOOR OPENERS

CDO - INDUSTRIAL-DUTY HOIST OPERATOR WITH INTERNAL DOOR LOCK SENSOR - RIGHT HAND (DH5011L4R)