

MGJ Gear Jackshaft Operator

Medium-Duty Door Operator



I.C./F.C.C. Certified

Customer _____

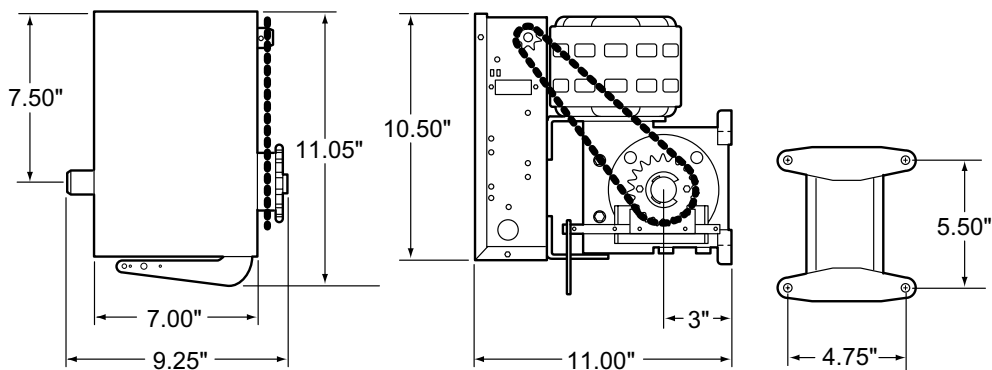
Project _____

Architect/Engineer _____

Contractor _____

Drawing Number _____ Date _____ Sheet _____ of _____

SHOP DRAWING



Specifications for Ordering

1) Supply _____ () LiftMaster Operator(s) Model _____
 _____ HP, _____ Volts, _____ Phase, _____ Hertz _____

2) For _____ wide x _____ high door(s) with _____

3) Supply _____ () OPEN/CLOSE/STOP control station(s) in NEMA _____ enclosure per operator

4) Supply auxiliary and optional equipment as specified below (one per operator unless otherwise noted)

Additional Info

Notes:

- 1) Refer to Model MGJ product data sheet for general information
- 2) Refer to drawing _____ for wiring diagram

HORSE POWER	MOTOR AMPERAGE RATING				
	VOLTAGE-PHASE-60Hz			50Hz	
	115-1Ø	230-1Ø	460-3Ø	220-1Ø	380-3Ø
1/2	6.5	2.1	1.1	3.0	1.3

Manufactured by:
 The Chamberlain Group, Inc.
 845 Larch Avenue • Elmhurst, Illinois 60126

For More Information:
 call (800) 323-2276
 visit www.liftmaster.com or
<http://specs.chamberlain.com/architectscorner>

©2008 The Chamberlain Group, Inc. Printed in U.S.A.

