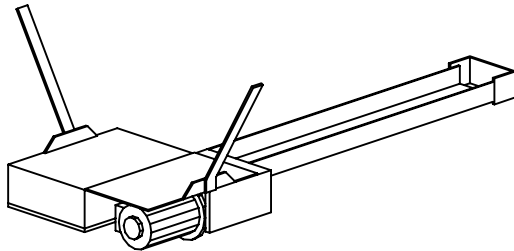
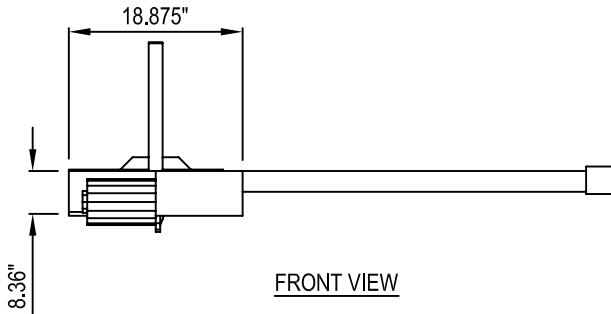


LiftMaster®

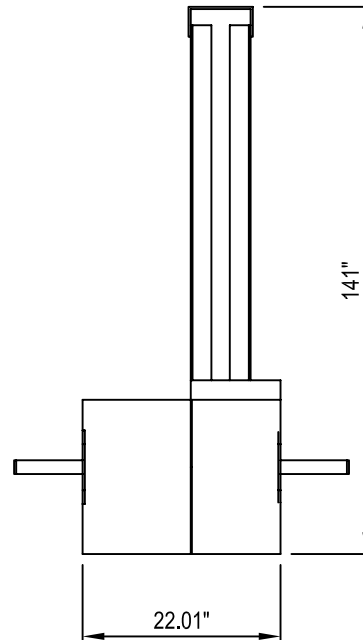
LIFTMASTER (CHAMBERLAIN GROUP, INC.)
 845 LARCH AVE. N.
 ELMHURST, IL 60126
 TOLL FREE: 1-800-528-5880
 PHONE: (630) 279-3600
 FAX: (877) 528-7633
 www.liftmaster.com



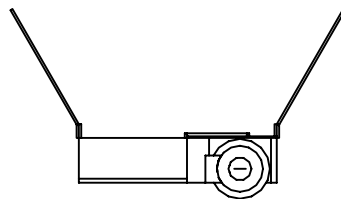
ISOMETRIC VIEW



FRONT VIEW



TOP VIEW

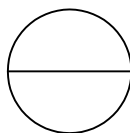


SIDE VIEW

DOOR HEIGHT	OPERATOR LENGTH
8 FT. DOOR	141 IN.
10 FT. DOOR	165 IN.
12 FT. DOOR	189 IN.

NOTES:

1. INSTALLATION TO BE COMPLETED IN ACCORDANCE WITH MANUFACTURERS SPECIFICATIONS.
2. DO NOT SCALE DRAWINGS.
3. SUGGESTED INSTALLATION FOR DIRT GROUND. THE MEASUREMENTS DEPEND ON THE TYPE OF GROUND. (IE., ASPHALT, CEMENT, DIRT) CHECK LOCAL BUILDING CODE BEFORE INSTALLATION.
4. CONTRACTORS NOTE: FOR PRODUCT AND COMPANY INFORMATION VISIT www.CADdetails.com/info REFERENCE NUMBER 2132-049



RESIDENTIAL & COMMERCIAL GATE OPERATORS

GATE - HIGH CYCLE OVERHEAD GATE OPERATOR (HCT-50-11-03)