

# DH Hoist Operator

Industrial-Duty Door Operator  
with internal Lock Sensor



I.C./F.C.C.  
Certified

Customer \_\_\_\_\_

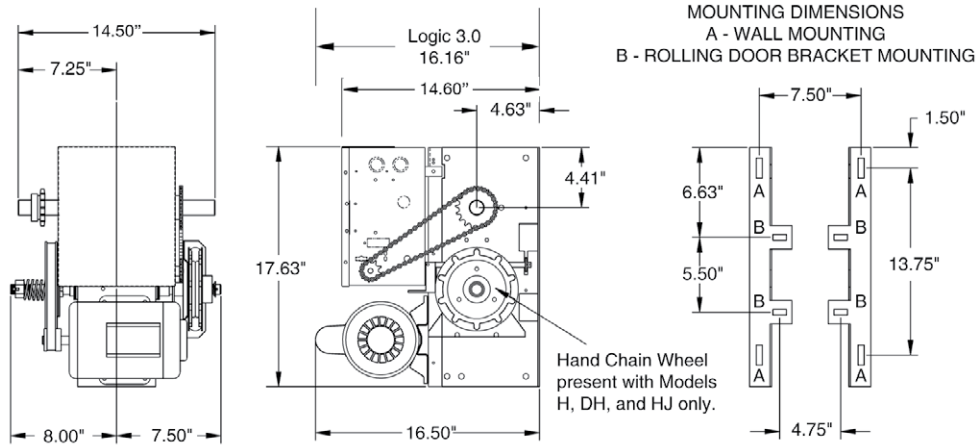
Project \_\_\_\_\_

Architect/Engineer \_\_\_\_\_

Contractor \_\_\_\_\_

Drawing Number \_\_\_\_\_ Date \_\_\_\_\_ Sheet \_\_\_\_\_ of \_\_\_\_\_

## SHOP DRAWING



### Specifications for Ordering

1) Supply \_\_\_\_\_ ( ) LiftMaster Operator(s) Model \_\_\_\_\_  
\_\_\_\_\_ HP, \_\_\_\_\_ Volts, \_\_\_\_\_ Phase, \_\_\_\_\_ Hertz \_\_\_\_\_

2) For \_\_\_\_\_ wide x \_\_\_\_\_ high door(s) with \_\_\_\_\_

3) Supply \_\_\_\_\_ ( ) OPEN/CLOSE/STOP control station(s) in NEMA \_\_\_\_\_ enclosure per operator

4) Supply auxiliary and optional equipment as specified below (one per operator unless otherwise noted)

Additional Info

### Notes:

- 1) Refer to Model DH product data sheet for general information
- 2) Refer to drawing \_\_\_\_\_ for wiring diagram

HORSE POWER	MOTOR AMPERAGE RATING				
	VOLTAGE - PHASE - 60Hz				
1/3	115-1Ø	230-1Ø	230-3Ø	460-3Ø	575-3Ø
1/2	6.6	3.3	2.2	1.0	0.8
	8.2	4.1	2.2	1.0	0.8

Manufactured by:  
The Chamberlain Group, Inc.  
845 Larch Avenue • Elmhurst, Illinois 60126

For More Information:  
call (800) 323-2276  
visit [www.liftmaster.com](http://www.liftmaster.com) or  
<http://specs.chamberlain.com/architectscorner>

©2008 The Chamberlain Group, Inc. Printed in U.S.A.

CHAMBERLAIN®  
**LiftMaster**®  
ELITE SERIES™ LOGIC 3.0