

# LGO

## Jackshaft Operator Light-Duty Door Operator



I.C./F.C.C.  
Certified

Customer \_\_\_\_\_

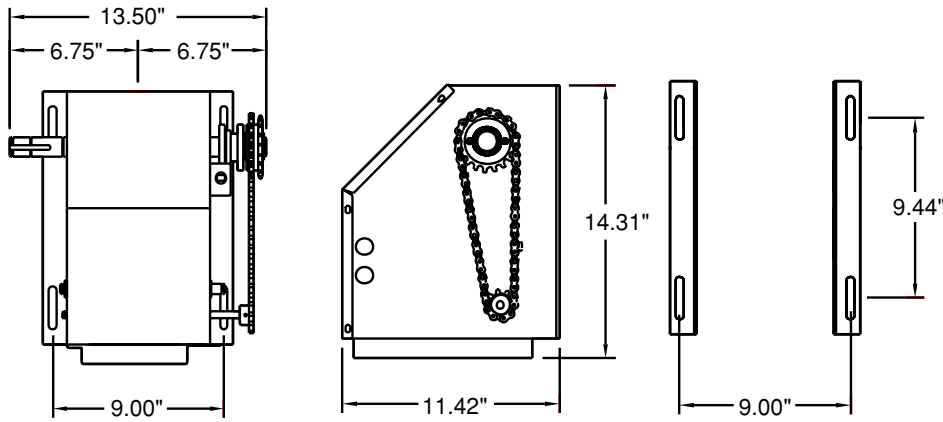
Project \_\_\_\_\_

Architect/Engineer \_\_\_\_\_

Contractor \_\_\_\_\_

Drawing Number \_\_\_\_\_ Date \_\_\_\_\_ Sheet \_\_\_\_\_ of \_\_\_\_\_

### SHOP DRAWING



### Specifications for Ordering

1) Supply \_\_\_\_\_ ( ) LiftMaster Operator(s) Model \_\_\_\_\_  
\_\_\_\_\_ HP, \_\_\_\_\_ Volts, \_\_\_\_\_ Phase, \_\_\_\_\_ Hertz \_\_\_\_\_

2) For \_\_\_\_\_ wide x \_\_\_\_\_ high door(s) with \_\_\_\_\_

3) Supply \_\_\_\_\_ ( ) OPEN/CLOSE/STOP control station(s) in NEMA \_\_\_\_\_ enclosure per operator

4) Supply auxiliary and optional equipment as specified below (one per operator unless otherwise noted)

Additional Info

### Notes:

- 1) Refer to Model LGO product data sheet for general information
- 2) Refer to drawing \_\_\_\_\_ for wiring diagram

OPERATOR AMP RATING (Full Load)		
HP		
1/2		
VOLTAGE - PHASE 60 HZ	115-1Ø	5.0

Manufactured by:  
The Chamberlain Group, Inc.  
845 Larch Avenue • Elmhurst, Illinois 60126  
**For More Information:**  
call (800) 323-2276 or visit [www.liftmaster.com](http://www.liftmaster.com)

**CHAMBERLAIN®**  
**LiftMaster®**