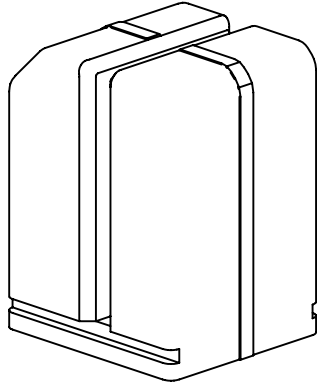
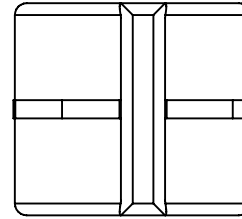


LiftMaster®

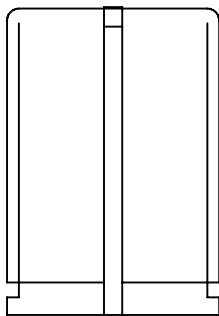
LIFTMASTER (CHAMBERLAIN GROUP, INC.)
845 LARCH AVE. N.
ELMHURST, IL 60126
TOLL FREE: 1-800-528-5880
PHONE: (630) 279-3600
FAX: (877) 528-7633
www.liftmaster.com



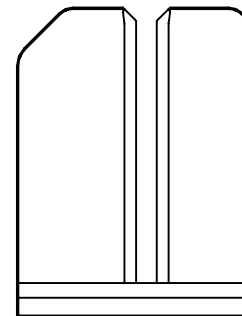
ISOMETRIC VIEW



TOP VIEW



SIDE VIEW



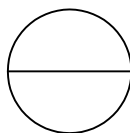
FRONT VIEW

SELECT DESIRED OPTIONAL EQUIPMENT:

- K1 RELAY OUTPUT OPTION; ACCESSORY RELAY FOR EXTERNAL SIGNALING (MA200)
- HEATER JIT FOR USE IN COLD WEATHER CLIMATES, T50 WATT WITH THERMOSTAT (MA201)
- MAGLOCK CONTROL RELAY OPTION (912B)

NOTES:

1. INSTALLATION TO BE COMPLETED IN ACCORDANCE WITH MANUFACTURERS SPECIFICATIONS.
2. DO NOT SCALE DRAWINGS.
3. SUGGESTED INSTALLATION FOR DIRT GROUND. THE MEASUREMENTS DEPEND ON THE TYPE OF GROUND. (IE., ASPHALT, CEMENT, DIRT) CHECK LOCAL BUILDING CODE BEFORE INSTALLATION.
4. CONTRACTORS NOTE: FOR PRODUCT AND COMPANY INFORMATION VISIT www.CADdetails.com/info REFERENCE NUMBER 2132-032



RESIDENTIAL & COMMERCIAL GATE OPERATORS

GATE - RESIDENTIAL DC GATE OPERATOR - MEGA SLIDE, MEDIUM DUTY (MSL-DC-BB3)